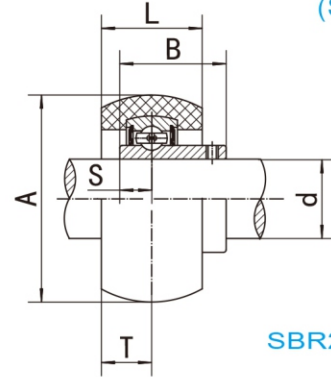
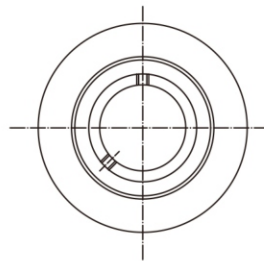
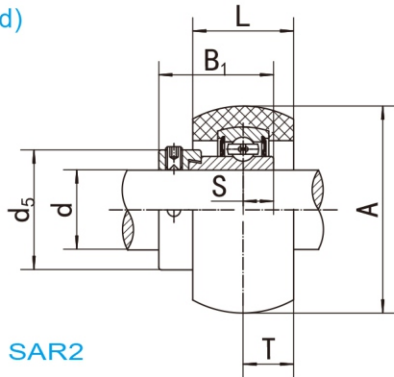


SAR2
(SA2-Fitted)

Rubber Mounted Units
(Light duty)

SBR2
(SB2-Fitted)



SAR2

SBR2

| Unit No. | Dimensions (mm / in.) | | | | | | | Bearing No. | Rubber Ring NO. | Weight (kg) |
|---|--|-----------------|---------------|---------------|----------------|---------------|----------------|---|-----------------|-------------|
| | d | A | L | T | B ₁ | S | d ₅ | | | |
| SAR 201 201-8 | 12 1/2 | 47.4 1-7/8 | 17.4 11/16 | 8.7 11/32 | 28.6 1.1260 | 6.5 0.2559 | 28.6 1-1/8 | SA201 | R-4 | 0.16 |
| SAR 202 202-10 | 15 5/8 | | | | | | | SA202 | | |
| SAR 203 203-11 | 17 2/3 | | | | | | | SA203 | | |
| SAR 204 204-12 | 20 3/4 | 52.4 2-1/16 | 17.4 11/16 | 8.7 11/32 | 31 1.2205 | 7.5 0.2953 | 33.3 1-5/16 | SA204 SA204-12 | R-5 | 0.17 |
| SAR 205 205-14 205-15 205-16 | 25 7/8 15/16 1 | 62.4 2-29/64 | 19.8 25/32 | 10.3 13/32 | 31 1.2205 | 7.5 0.2953 | 38.1 1-1/2 | SA205 SA205-14 SA205-15 SA205-16 | R-6 | 0.22 |
| SAR 206 206-17 206-18 206-19 206-20 | 30 1-1/16 1-1/8 1-3/16 1-1/4 | 72.4 2-27/32 | 20.6 13/16 | 10.3 13/32 | 35.7 1.4055 | 9 0.3543 | 44.5 1-3/4 | SA206 SA206-17 SA206-18 SA206-19 SA206-20 | R-7 | 0.36 |

| Unit No. | Dimensions (mm / in.) | | | | | | | Bearing No. | Rubber Ring NO. | Weight (kg) |
|---|--|-----------------|---------------|---------------|--------------|---------------|--|---|-----------------|-------------|
| | d | A | L | T | B | S | | | | |
| SBR 201 201-8 | 12 1/2 | 47.4 1-7/8 | 17.4 11/16 | 8.7 11/32 | 22 0.8661 | 6 0.2362 | | SB201 | R-4 | 0.11 |
| SBR 202 202-10 | 15 5/8 | | | | | | | SB202 | | |
| SBR 203 203-11 | 17 2/3 | | | | | | | SB203 | | |
| SBR 204 204-12 | 20 3/4 | 52.4 2-1/16 | 17.4 11/16 | 8.7 11/32 | 25 0.9843 | 7 0.2756 | | SB204 SB204-12 | R-5 | 0.16 |
| SBR 205 205-14 205-15 205-16 | 25 7/8 15/16 1 | 62.4 2-29/64 | 19.8 25/32 | 10.3 13/32 | 27 1.063 | 7.5 0.2953 | | SB205 SB205-14 SB205-15 SB205-16 | R-6 | 0.19 |
| SBR 206 206-17 206-18 206-19 206-20 | 30 1-1/16 1-1/8 1-3/16 1-1/4 | 72.4 2-27/32 | 20.6 13/16 | 10.3 13/32 | 30 1.1811 | 8 0.315 | | SB206 SB206-17 SB206-18 SB206-19 SB206-20 | R-7 | 0.44 |