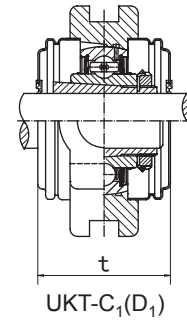
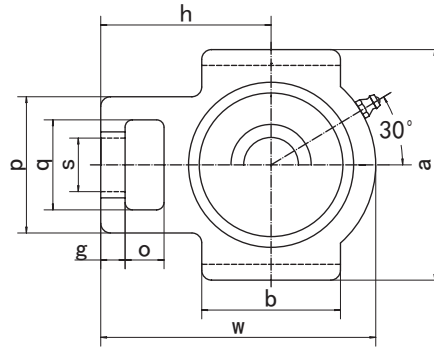
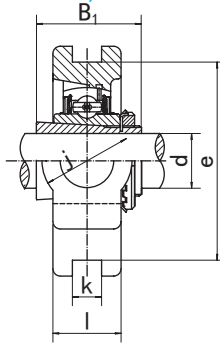


Take-up Units
(with adapter mounted)

UKT2 (Normal-duty)



Unit NO.	Dimensions (mm / in.)																	Bearing No.	Housing No.	Weight (kg)
	d	o	g	p	q	s	b	k	e	a	w	j	l	h	t	B ₁				
UKT205;H2305 205;HE2305	20 3/4	16 5/8	10 25/64	51 2-1/64	32 1-1/4	19 3/4	51 2-1/64	12 15/32	76 2-63/64	89 3-1/2	97 3-13/16	32 1-1/4	24 15/16	62 2-7/16	48 1-7/8	35 1.378	UK205;H2305 UK205;HE2305	T205	0.86	
UKT206;H2306 206;HS2306 206;HE2306	25 7/8 1	16 5/8	10 25/64	56 2-7/32	37 1-29/64	22 55/64	57 2-1/4	12 15/32	89 3-1/2	102 4-1/64	113 4-29/64	37 1-29/64	28 1-3/32	70 2-3/4	53 2-3/32	38 1.496	UK206;H2306 UK206;HS2306 UK206;HE2306	T206	1.26	
UKT207;H2307 207;HS2307	30 1-1/8	16 5/8	13 33/64	64 2-33/64	37 1-29/64	22 55/64	64 2-33/64	12 15/32	89 3-1/2	102 4-1/64	129 5-5/64	37 1-29/64	30 1-3/16	78 3-5/64	59.5 2-11/32	43 1.693	UK207;H2307 UK207;HS2307	T207	2.50	
UKT208;H2308 208;HE2308 208;HS2308	35 1-1/4 1-3/8	19 3/4	16 5/8	83 3-17/64	49 1-15/16	29 1-9/64	83 3-17/64	16 5/8	102 4-1/64	114 4-31/64	144 5-43/64	49 1-15/16	33 1-5/16	89 3-1/2	69 2-23/32	46 1.811	UK208;H2308 UK208;HE2308 UK208;HS2308	T208	2.50	
UKT209;H2309 209;HA2309 209;HE2309 209;HS2309	40 1-7/16 1-1/2 1-5/8	19 3/4	16 5/8	83 3-17/64	49 1-15/16	29 1-9/64	83 3-17/64	16 5/8	102 4-1/64	117 4-39/64	144 5-43/64	49 1-15/16	35 1-3/8	87 3-27/64	69 2-23/32	50 1.969	UK209;H2309 UK209;HA2309 UK209;HE2309 UK209;HS2309	T209	2.51	
UKT210;H2310 210;HS2310 210;HA2310 210;HE2310	45 1-5/8 1-11/16 1-3/4	19 3/4	16 5/8	83 3-17/64	49 1-15/16	29 1-9/64	86 3-25/64	16 5/8	102 4-1/64	117 4-39/64	149 5-55/64	49 1-15/16	37 1-15/32	90 3-35/64	74.5 2-15/16	55 2.165	UK210;H2310 UK210;HS2310 UK210;HA2310 UK210;HE2310	T210	2.60	
UKT211;H2311 211;HS2311 211;HA2311 211;HE2311	50 1-7/8 1-15/16 2	25 63/64	19 3/4	102 4-1/64	64 2-1/32	35 1-3/8	95 3-3/4	22 55/64	130 5-1/8	146 5-3/4	171 6-47/64	64 2-33/64	38 1-1/2	106 4-11/64	76 3	59 2.323	UK211;H2311 UK211;HS2311 UK211;HA2311 UK211;HE2311	T211	4.26	
UKT212;H2312 212;HS2312	55 2-1/8	32 1-17/64	19 3/4	102 4-1/64	64 2-1/32	35 1-3/8	102 4-1/64	22 55/64	130 5-1/8	146 5-3/4	194 7-41/64	64 2-33/64	42 1-21/32	119 4-11/16	89 3-1/2	62 2.441	UK212;H2312 UK212;HS2312	T212	5.02	
UKT213;H2313 213;HA2313 213;HE2313 213;HS2313	60 2-3/16 2-1/4 2-3/8	32 1-17/64	21 53/64	111 4-3/8	70 2-3/4	41 1-39/64	121 4-49/64	26 1-1/32	151 5-15/16	167 6-37/64	224 8-13/16	70 2-3/4	44 1-23/32	137 5-25/64	89 3-1/2	65 2.559	UK213;H2313 UK213;HA2313 UK213;HE2313 UK213;HS2313	T213	6.56	
UKT215;H2315 215;HA2315 215;HE2315	65 2-7/16 2-1/2	32 1-17/64	21 53/64	111 4-3/8	70 2-3/4	41 1-39/64	121 4-49/64	26 1-1/32	151 5-15/16	167 6-37/64	232 9-9/64	70 2-3/4	48 1-57/64	140 5-33/64	99 3-57/64	73 2.874	UK215;H2315 UK215;HA2315 UK215;HE2315	T215	7.52	
UKT216;H2316 216;HA2316 216;HE2316	70 2-11/16 2-3/4	32 1-17/64	21 53/64	111 4-3/8	70 2-3/4	41 1-39/64	121 4-49/64	26 1-1/32	165 6-1/2	184 7-1/4	235 9-1/4	70 2-3/4	51 2	140 5-33/64	109 4-19/64	78 3.071	UK216;H2316 UK216;HA2316 UK216;HE2316	T216	8.56	
UKT217;H2317 217;HA2317 217;HE2317	75 2-15/16 3	38 1-1/2	29 1-9/64	124 4-7/8	73 2-7/8	48 1-57/64	157 6-3/16	30 1-3/16	173 6-13/16	198 7-51/64	260 10-15/64	73 2-7/8	54 2-1/8	162 6-3/8	113.2 4-29/64	82 3.288	UK217;H2317 UK217;HA2317 UK217;HE2317	T217	11.38	